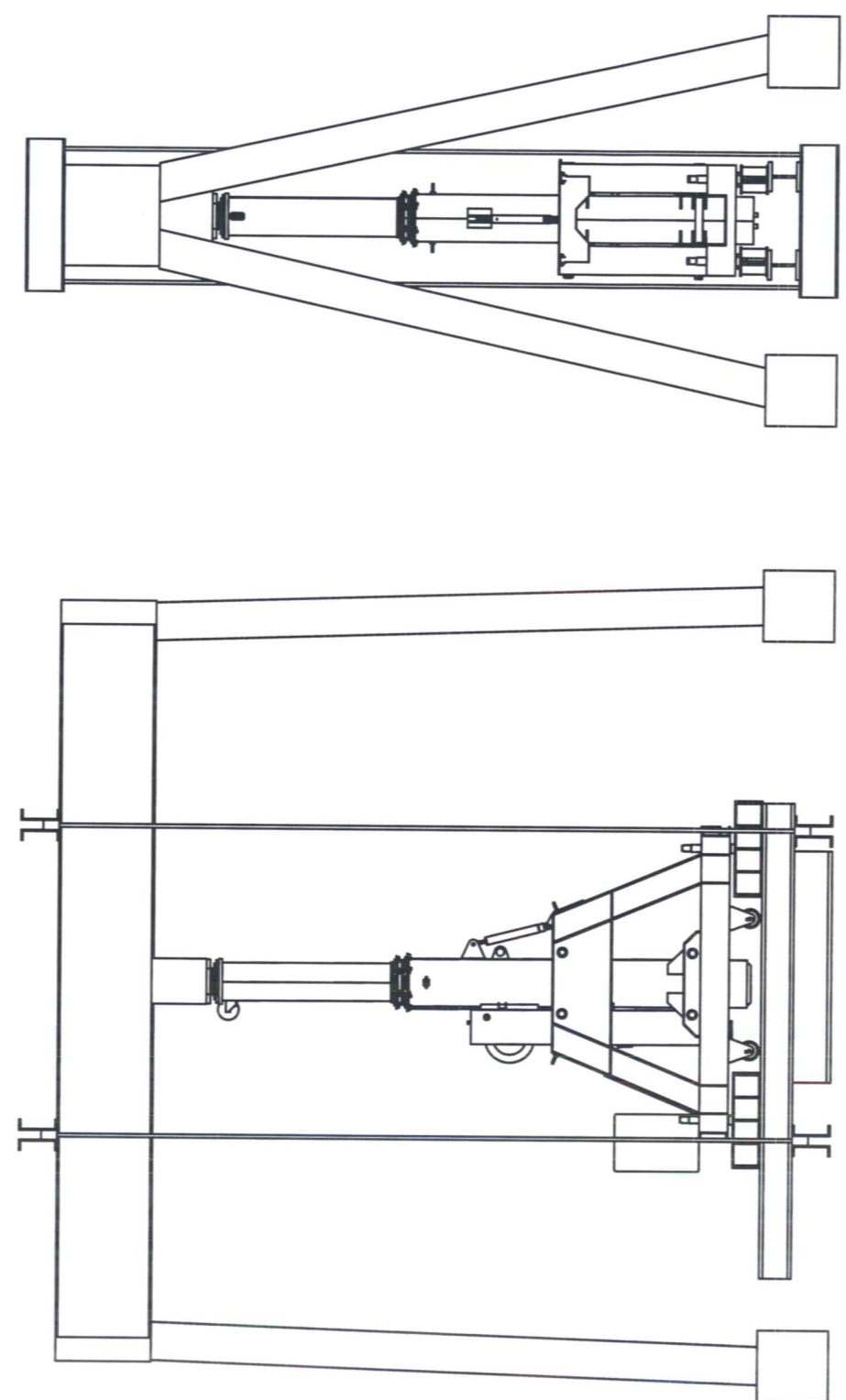


2009070 Anabolia

2 3 4 5 6



RECORD: GRO 0903027/1-4
 02 AS09
 Lloyd's Register EMEA
 A. Snoep
 Groningen Office
 27/02-2009

20090129

SWL = 800 kN
 Test load = 1000 kN

DRAWN: G.E.	DATE: 20-2-2009	SCALE: 1:50	MATERIAL: APPROVED: OVERALL: 1/1	REMOVE BURRS OF INTERSECTING HOLES. BREAK SHARP EDGES. 0.1-0.3xR	TOLERANCE UNLESS OTHERWISE STATED: ANGLE: 0.05° LINEAR: 0.05
NAME: 02 AS09 Lloyd's Register EMEA A. Snoep Groningen Office 27/02-2009		REGISTERED PART NAME: HYDROSPEX	REGISTERED PART NAME: HYDROSPEX	REMOVE BURRS OF INTERSECTING HOLES. BREAK SHARP EDGES. 0.1-0.3xR	TOLERANCE UNLESS OTHERWISE STATED: ANGLE: 0.05° LINEAR: 0.05
DRAWING NO: 02078.90.00.00		DRAWING NO: 02078.90.00.00		REV.: 1	
FORM: A3		FORM: A3		FORM: A3	

